

BATHROOM FURNITURE, VANITY UNIT FOR WASHBASIN, VANITY UNITS,
BATHROOM FURNITURE WITH LIGHTING FINION

PRODUCT INFORMATION

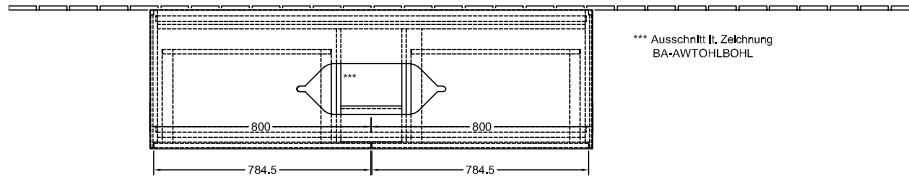
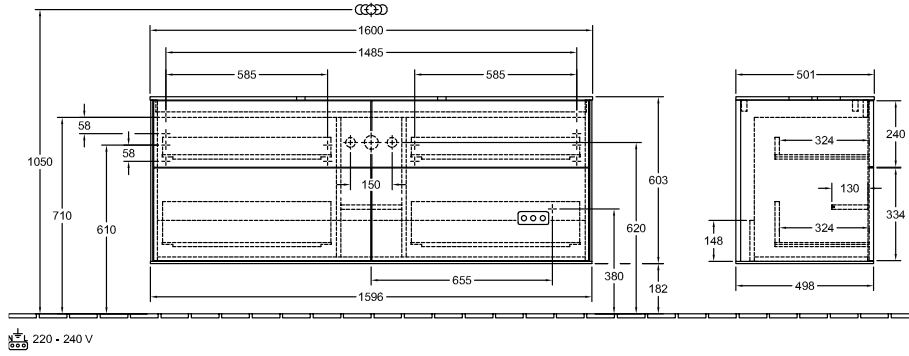


Model	G73
Width	1600 mm
Height	603 mm
Depth	501 mm
Weight	91 kg
Description	<p>with wall lighting, without drilled tap holes</p> <p>Wood</p> <p>fastening set included</p> <p>washbasin on the middle</p> <p>LED lighting</p> <p>Equipped with: 2x Accessories package Finion, 4x pull-out compartments with slip-resistant base</p> <p>For combination with: Finion 4143 61</p> <p>Please order specified washbasin separately, The G999 02 00 remote is required to control the lighting. It is not included in the scope of delivery. Only one control unit is necessary per bathroom, The models with glass panels without holes for tap fittings may have a longer delivery period, It is not always possible to cancel or alter orders!</p> <p>2x LED / 4,2 W</p> <p>Energy efficiency class: A-A++</p> <p>2700 K (neutral white) to 6480 K (daylight white)</p> <p>Equipped with: 2x wide glass drawer dividers, 6x narrow glass drawer dividers, 2x accessory boxes S, 2x accessory boxes M, 4x pull-out compartments with slip-resistant base</p>
Installation	wall-mounted
Material	Wood
Specification texts	<p>Finion; Vanity unit; Wood; Size: 1600 x 603 x 501 mm; Angular; with wall lighting, without drilled tap holes; wall-mounted; fastening set included; washbasin on the middle; LED lighting; Equipped with: 2x Accessories package Finion, 4x pull-out compartments with slip-resistant base; For combination with: Finion 4143 61; Please order specified washbasin separately, The G999 02 00 remote is required to control the lighting. It is not included in the scope of delivery. Only one control unit is necessary per bathroom, The models with glass panels without holes for tap fittings may have a longer delivery period, It is not always possible to cancel or alter orders!; 2x LED / 4,2 W; Energy efficiency class: A-A++; 2700 K (neutral white) to 6480 K (daylight white); Equipped with: 2x wide glass drawer dividers, 6x narrow glass drawer dividers, 2x accessory boxes S, 2x accessory boxes M, 4x pull-out compartments with slip-resistant base</p>

Midnight Blue Matt Lacquer	G73300HG	4062373374023
Peony Matt Lacquer	G73100HB	4051202828400
Sand Matt Lacquer	G73300HH	4062373374030
Sun Matt Lacquer	G73100HE	4051202828417
White Matt Lacquer	G73300MT	4062373374047
Midnight Blue Matt Lacquer	G73100HG	4062373373866
Sand Matt Lacquer	G73100HH	4062373373873
Oak Veneer	G73100PC	4062373373880
Black Matt Lacquer	G73100PD	4051202828431
Oak Veneer	G73300PC	4062373374054
Black Matt Lacquer	G73300PD	4062373374061
White Matt Lacquer	G73100MT	4051202828424
Glossy Black Lacquer	G73100PH	4062373523384
Glossy White Lacquer	G73200GF	4051202828448
Light Grey Matt Lacquer	G73200GJ	4051202828455
Anthracite Matt Lacquer	G73200GK	4051202828462
Glossy Black Lacquer	G73300PH	4062373524862
Olive Matt Lacquer	G73200GM	4062373373897
Walnut Veneer	G73200GN	4051202828479
Cedar Matt Lacquer	G73200GS	4051202828486
Sand Matt Lacquer	G73200HH	4062373373910
Oak Veneer	G73200PC	4062373373927
Black Matt Lacquer	G73200PD	4051202828530
Glossy Black Lacquer	G73200PH	4062373524121
Glossy White Lacquer	G73300GF	4062373373934
Glossy White Lacquer	G73100GF	4051202828349
Olive Matt Lacquer	G73300GM	4062373373965
Light Grey Matt Lacquer	G73100GJ	4051202828356
Cedar Matt Lacquer	G73300GS	4062373373989
Olive Matt Lacquer	G73100GM	4062373373859
Cloud Matt Lacquer	G73300HA	4062373373996
Walnut Veneer	G73100GN	4051202828370
Peony Matt Lacquer	G73300HB	4062373374009
White Matt Lacquer	G73200MT	4051202828523
Light Grey Matt Lacquer	G73300GJ	4062373373941
Anthracite Matt Lacquer	G73300GK	4062373373958
Walnut Veneer	G73300GN	4062373373972
Anthracite Matt Lacquer	G73100GK	4051202828363
Cedar Matt Lacquer	G73100GS	4051202828387
Sun Matt Lacquer	G73300HE	4062373374016
Cloud Matt Lacquer	G73200HA	4051202828493
Peony Matt Lacquer	G73200HB	4051202828509
Sun Matt Lacquer	G73200HE	4051202828516
Midnight Blue Matt Lacquer	G73200HG	4062373373903
Cloud Matt Lacquer	G73100HA	4051202828394

TECHNICAL DRAWINGS

G73



*** Ausschnitt II, Zeichnung
BA-AWTOHLBOHL